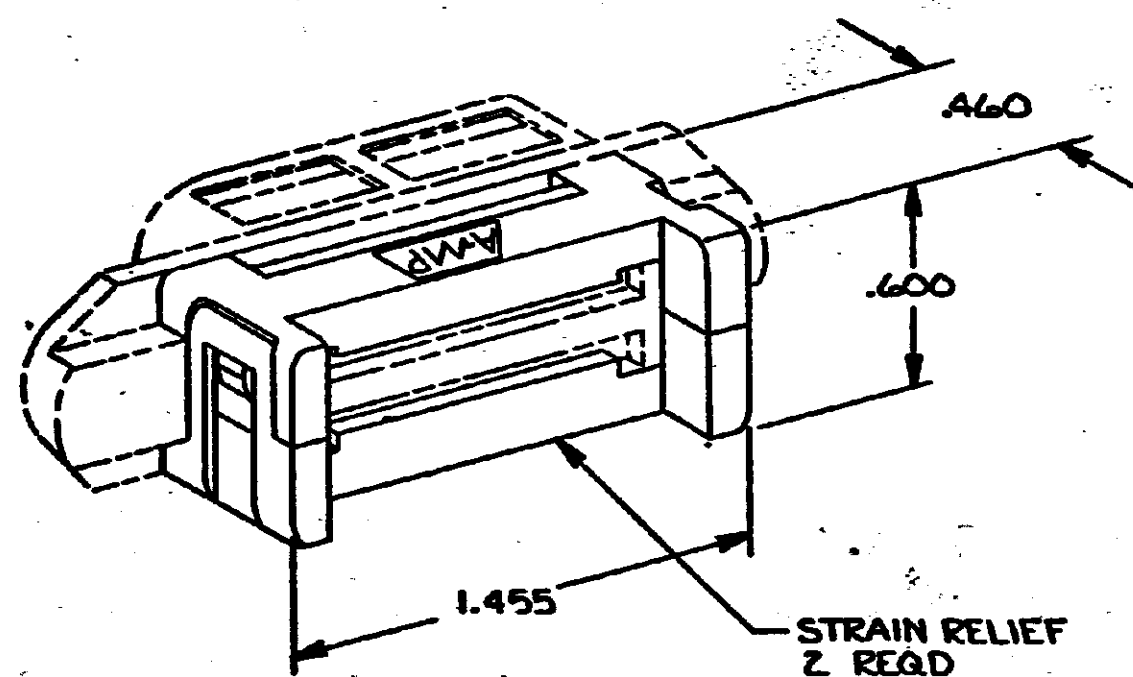


© COPYRIGHT 1974 BY AMP INCORPORATED, HARRISBURG, PA.
 ALL INTERNATIONAL RIGHTS RESERVED. AMP INCORPORATED PRODUCTS
 COVERED BY U. S. AND FOREIGN PATENTS AND/OR PATENTS PENDING.

REVISIONS					
P	F	ZONE/LTR	DESCRIPTION	DATE	APPROVED
F	✓	F	SUPSD-1; ECN AA-3253	9/2/80	CH

1. STRAIN RELIEFS SHOWN ASSEMBLED, HOWEVER, THEY ARE SHIPPED NOT ASSEMBLED.
2. ALL DIMENSIONS SHOWN ARE FOR REFERENCE ONLY UNLESS OTHERWISE SPECIFIED.



LOW PROFILE

LOW PROFILE	BLACK	1-552298-1
DESCRIPTION	COLOR	PART NO

UNLESS OTHERWISE SPECIFIED DIMENSIONS ARE IN INCHES. TOLERANCES ON: DECIMALS ± .005 ANGLES ± 1°	CONTRACT NO	AMP AMP INCORPORATED Harrisburg, Pa.	
	DR <i>RWS</i> 2-17-80	NAME STRAIN RELIEF, 24 POSN, CHAMP	
MATERIAL THERMOPLASTIC	CHK <i>V.E. Steel</i> 9/21/80	SIZE	CODE IDENT NO/DRAWING NO
FINISH //	APPD <i>D.G. Ward</i> 4/11/80	C	00779
	DSGN APPD <i>Donnelly</i> 4.21.80	SCALE	2:1
	OTHER APPD		552298
			SHEET 1 OF 1

AMP 1471-B REV 12-78

CUSTOMER DRAWING

552298